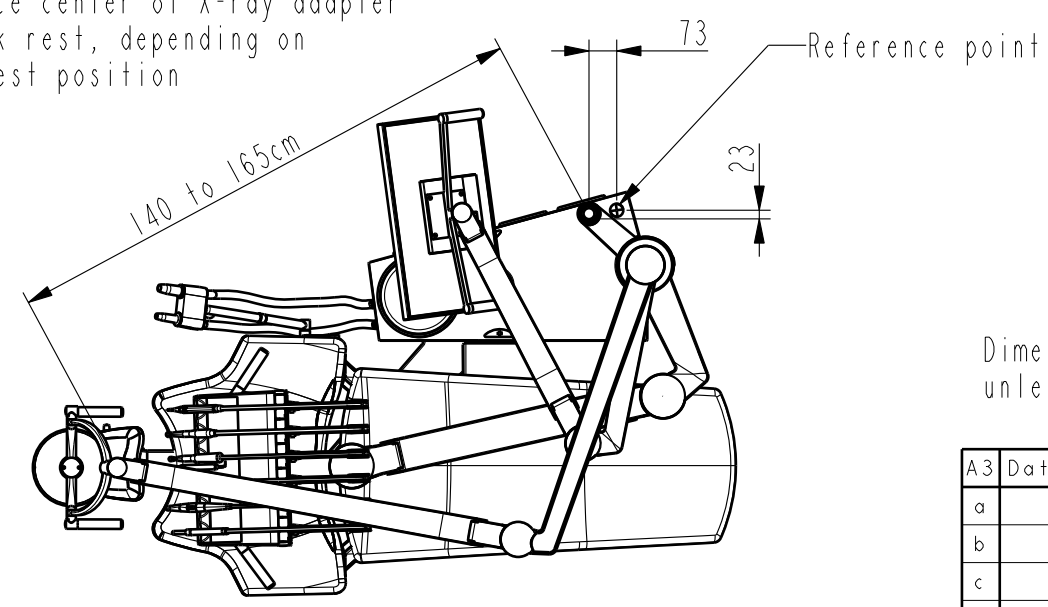


Distance center of X-ray adapter
to neck rest, depending on
neck rest position



Dimensions in millimeter
unless otherwise specified

A3	Date	Description	init.			☉ ▽	Date	Sign
a				XO XO CARE A/S	Scale 1:20	Des. 22-Nov-18	TRH	
b								
c								
d								
Matr.		Title		Replaces		Rev.		
-		XO Unit w. X-RAY Adapter		Num. XO-FLEX_X-RAY		A		
Tol. -				Replaced by				